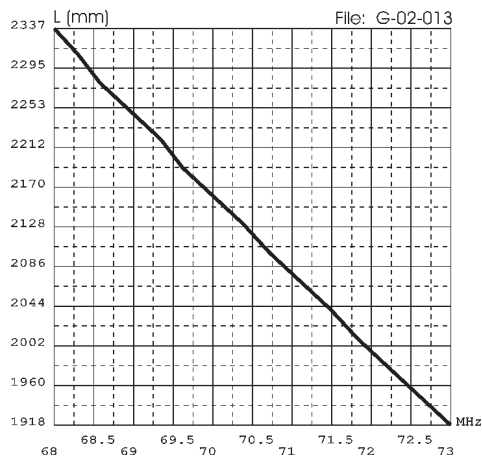
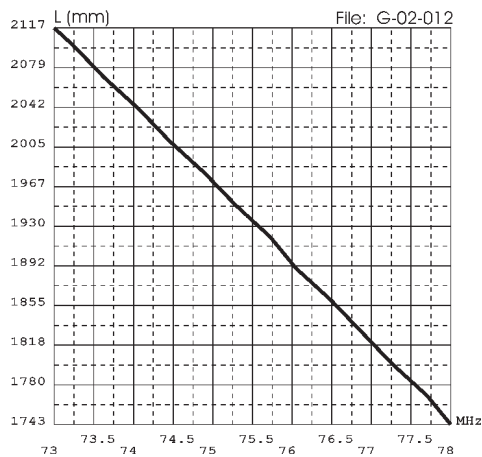


## TYPICAL TUNING DIAGRAMS

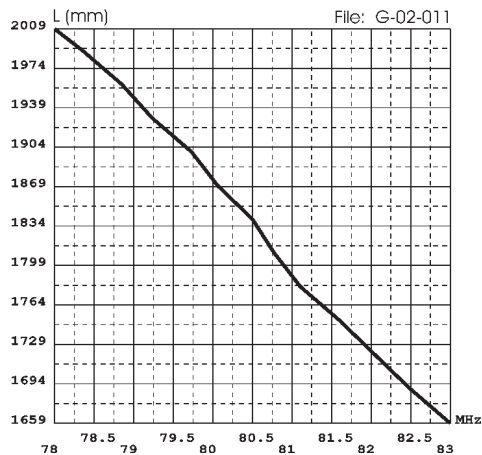
CX 4-68



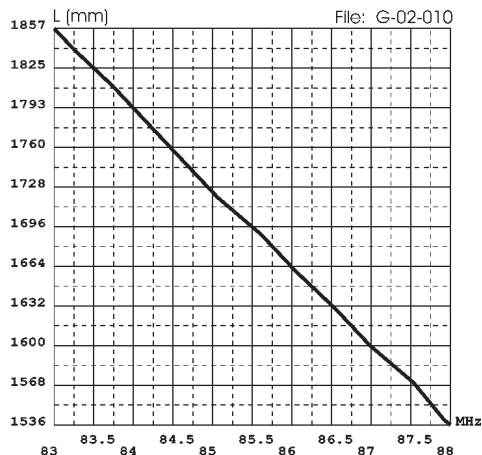
CX 4-73



CX 4-78



CX 4-83



**NOTE:**

- L is the length indicated in the above pictures.
- It is recommended to use the curves just as a guide. Fine-tuning by using an SWR-Meter.

# CX 4m series

VHF Base Station Antennas 68..88 MHz



HI-QUALITY ANTENNAS MADE IN ITALY

© Copyright SIRIO antenne - Technical Data are subjected to change - Printed in ITALY - Rev. 09/04/2008 - Cod. ID075

*Installation Manual*

## DESCRIPTION

3/4 λ VHF antenna for base station service made of high quality materials to get the best performance and the maximum efficiency. It is completely manufactured with aluminium tubes and nylon for its great robustness and it is supplied with a solid steel bracket for an easy and safe installation. Its Gamma Match feed makes it earthed for a perfect protection against the static discharges. Simple and strong, it is particularly recommended for a professional use.

## SPECIFICATIONS

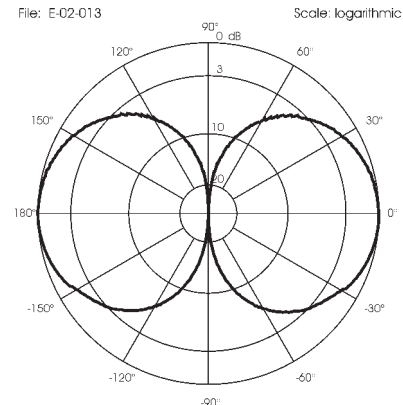
### Electrical Data

Type	: 3/4 λ Coax. J-Pole
Frequency Range	: CX 4-68 from 68 to 73 MHz tunable by diagram : CX 4-73 from 73 to 78 MHz tunable by diagram : CX 4-78 from 78 to 83 MHz tunable by diagram : CX 4-83 from 83 to 88 MHz tunable by diagram
Impedance	: 50 Ω Unbalanced
Radiation (H-plane)	: 360° Omnidirectional
Radiation (E-plane)	: Beamwidth at -3 dB = 60°
Radiation angle deg.	: 3°
Polarization	: Vertical
Gain	: 2 dBd - 4.15 dBi
Bandwidth @ SWR 1.5	: CX 4-68 ≥ 1.7 MHz @ 68 MHz : CX 4-73 ≥ 2.0 MHz @ 73 MHz : CX 4-78 ≥ 2.5 MHz @ 78 MHz : CX 4-83 ≥ 2.5 MHz @ 83 MHz
SWR @ res. freq.	: ≤ 1.2
Max Power	: 500 Watts
Feed System / Position	: Gamma Match / Base
Connector	: UHF Female

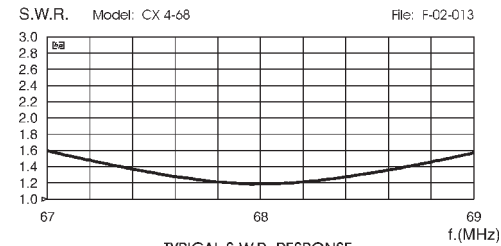
### Mechanical Data

Materials	: Nylon, Brass, Steel, Aluminium
Wind Load / Resistance	: 97 N at 150 Km/h / 150 Km/h
Wind Surface	: 0.08 m <sup>2</sup>
Height (approx.)	: from 2700 to 3360 mm
Weight (approx.)	: 1900 gr
Mounting Mast	: Ø 35-42 mm

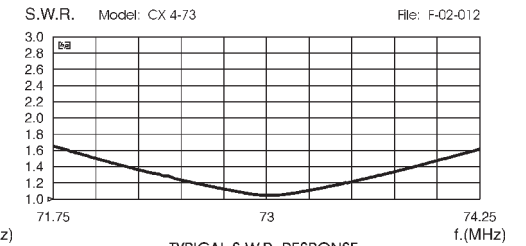
TYPICAL RADIATION PATTERN in E-plane at mid band



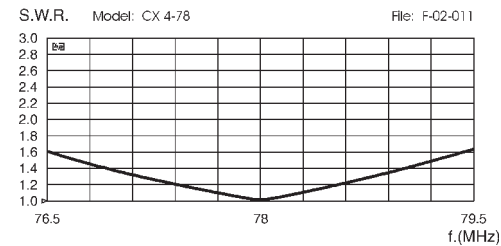
TYPICAL S.W.R. RESPONSE



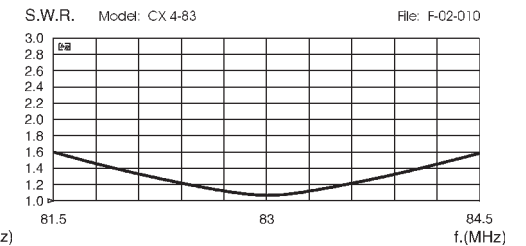
TYPICAL S.W.R. RESPONSE



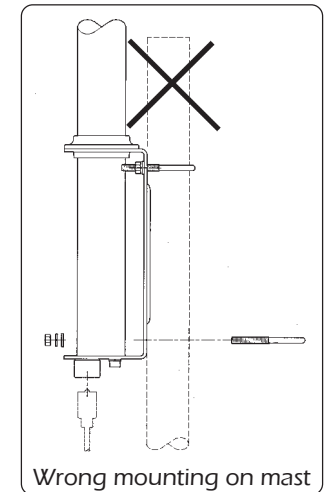
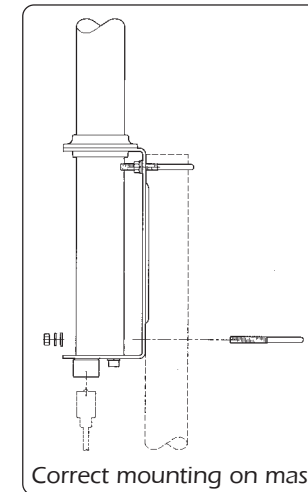
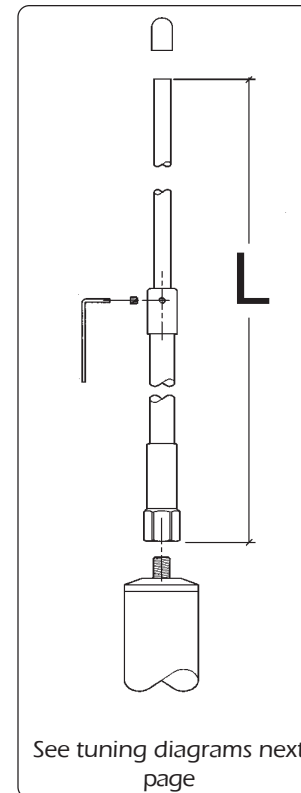
TYPICAL S.W.R. RESPONSE



TYPICAL S.W.R. RESPONSE



## MOUNTING INSTRUCTIONS



### HARDWARE PARTS LIST

Qty	Descriptions
n.2	M6x160 U-bolts
n.4	M6 Flat washer
n.4	M6 Lock washer
n.4	M6 Hex nut
n.1	M4x4 Hexagon socket set screw
n.1	2mm Exagonal key
n.1	Ø10mm PVC cap



HI-QUALITY ANTENNAS MADE IN ITALY